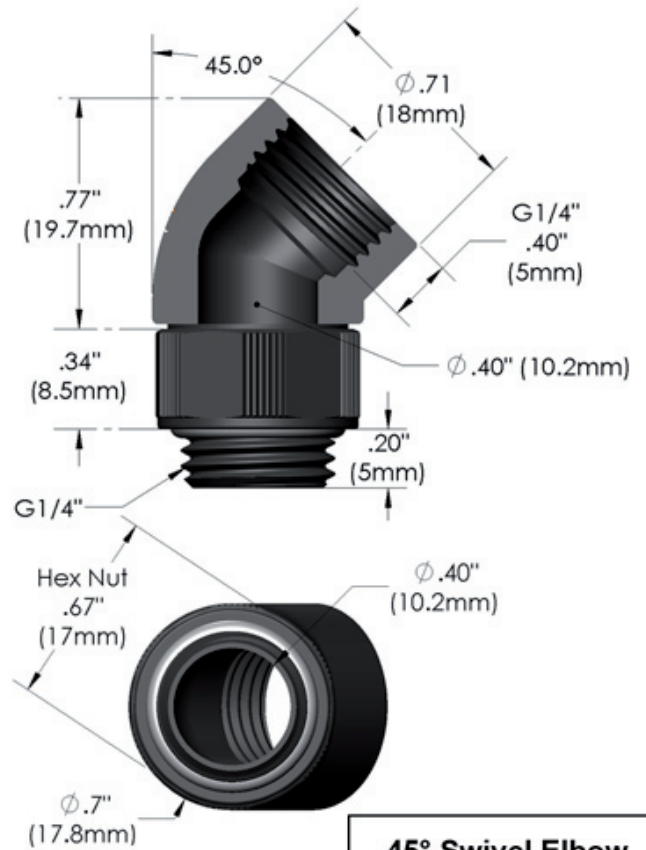


45° Swivel Elbow Lok-Seal™ adapter: the base freely rotates 360° and the female thread allows installation of a compression fitting to make a 45° Swivel elbow fitting.



**45° Swivel Elbow
G¹/₄ Lok-Seal™
MF Adapter**

Features
- Color: Black
- Material: Brass
- Blister Pack: 1 fitting & collar
Dimensions
- Base Hex: 17mm
Reference
- 45DSWVG14MFABK
Barcode
- 877790002060



Soft material	Minimum recommended	Maximum recommended
Acetal (POM) and acrylics	1/4 of a turn after initial contact between mating surfaces	1/2 of a turn after initial contact between mating surfaces
Hard material	Recommended	
Copper, brass, aluminum	1/8 of a turn after initial contact between mating surfaces	

Recommended tools	
A small adjustable wrench with jaw opening up to 1" (25.4mm) may be used as a universal tool instead of the specific tools listed below	
Specific tools	
Adapter	Fitting Base Hex: Flat wrench
45° swivel elbow	17mm (5/8")

Swiftech has demonstrated leadership through innovation on the high-end thermal management scene despite intense pressure from heavyweight industry players with powerful sales and marketing acumen. Swiftech has worked hard, and succeeded in creating a name recognized worldwide for quality and performance.