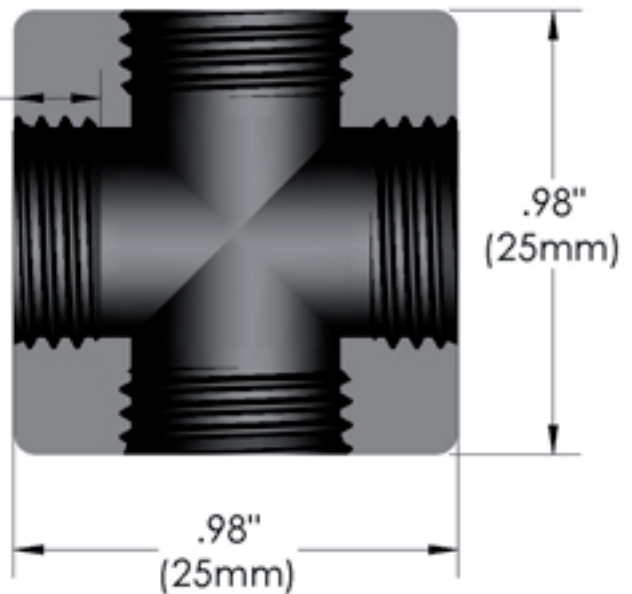


90° Swivel Elbow Lok-Seal™ adapter: Base rotate 360° for optimum tubing orientation; the female thread allows installation of a compression fitting to make a 90° Dual Swivel elbow fitting.



4x G1/4"  
.20"  
(5mm)



### Features

- Color: Chrome
- Material: Brass
- Blister Pack: 1 manifold

### Dimensions

- Base: 25mm

### Reference

- 4WG14TACHR

### Barcode

- 877790002084

Soft material	Minimum recommended	Maximum recommended
Acetal (POM) and acrylics	1/4 of a turn after initial contact between mating surfaces	1/2 of a turn after initial contact between mating surfaces
Hard material	Recommended	
Copper, brass, aluminum	1/8 of a turn after initial contact between mating surfaces	

Recommended tools	
A small adjustable wrench with jaw opening up to 1" (25.4mm) may be used as a universal tool instead of the specific tools listed below	
Specific tools	
Adapter	Fitting Base Hex: Flat wrench
4 way manifold	25mm (1")

Swiftech has demonstrated leadership through innovation on the high-end thermal management scene despite intense pressure from heavyweight industry players with powerful sales and marketing acumen. Swiftech has worked hard, and succeeded in creating a name recognized worldwide for quality and performance.